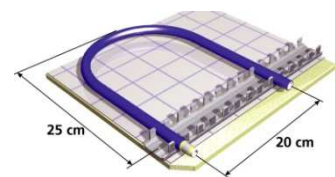
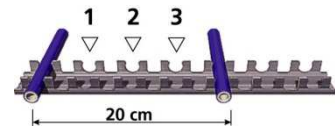
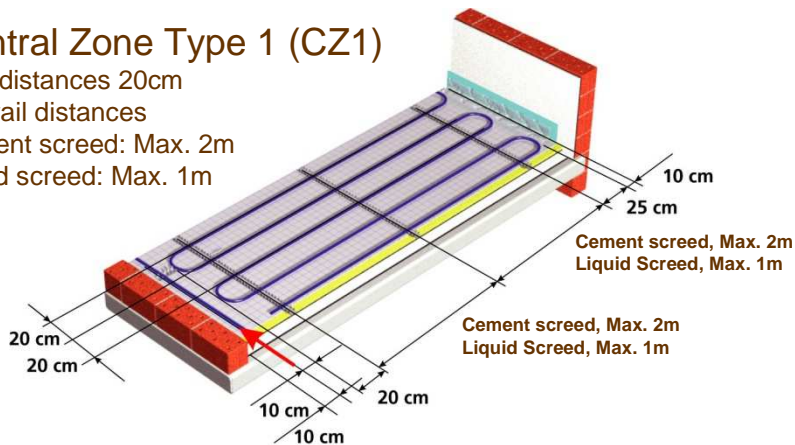


System STANDARD

Installation Guide – Pipe distances Central Zone

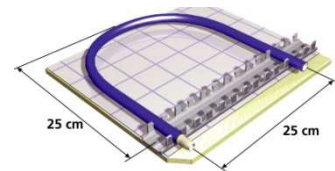
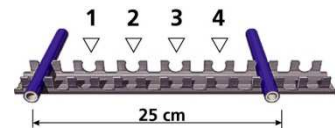
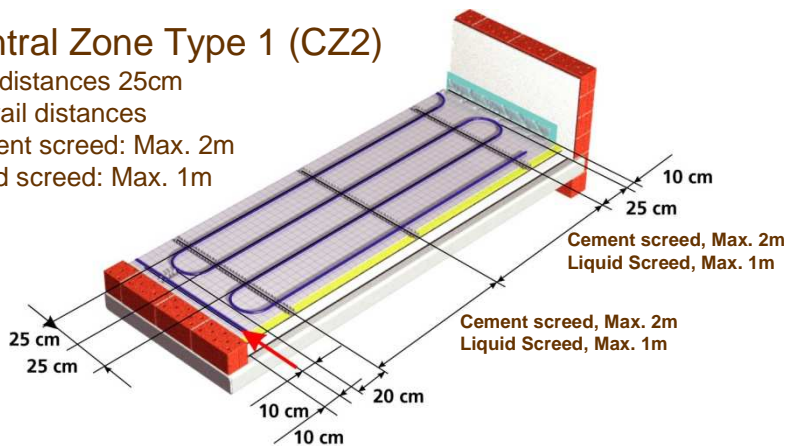
Central Zone Type 1 (CZ1)

Pipe distances 20cm
Clip rail distances
Cement screed: Max. 2m
Liquid screed: Max. 1m



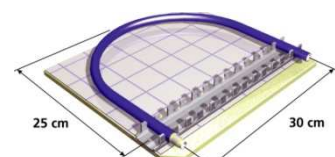
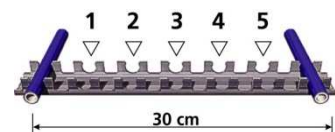
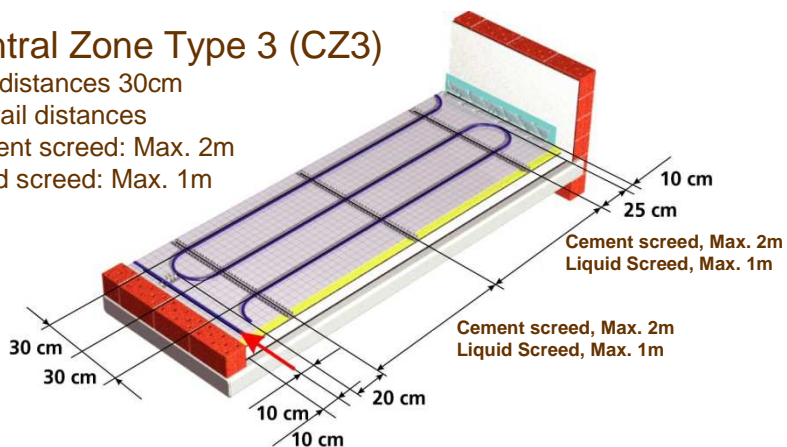
Central Zone Type 1 (CZ2)

Pipe distances 25cm
Clip rail distances
Cement screed: Max. 2m
Liquid screed: Max. 1m



Central Zone Type 3 (CZ3)

Pipe distances 30cm
Clip rail distances
Cement screed: Max. 2m
Liquid screed: Max. 1m

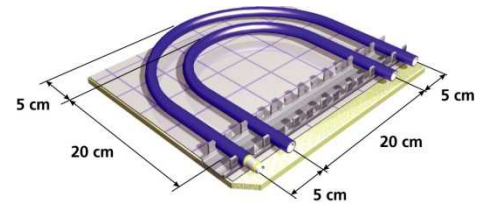
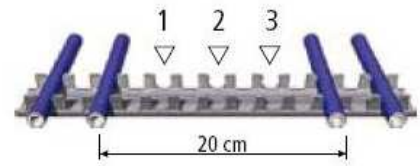
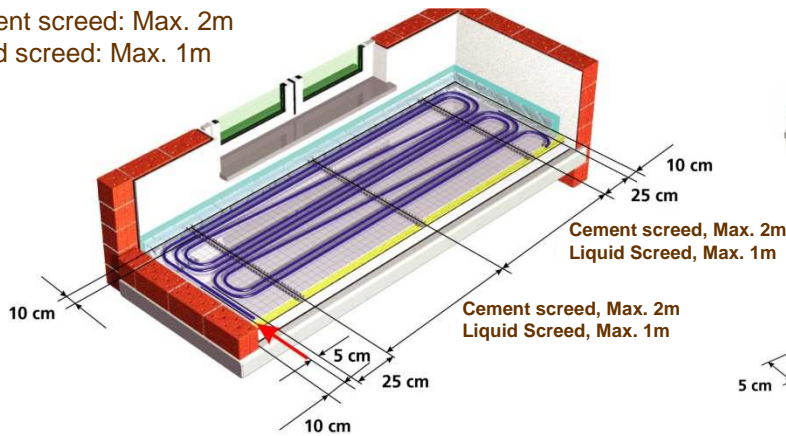


System STANDARD

Installation Guide – Pipe distances Edge Zone

Edge Zone Type 1 (EZ1)

Pipe distances 8.8cm
 Clip rail distances
 Cement screed: Max. 2m
 Liquid screed: Max. 1m



Edge Zone Type 2 (EZ2)

Pipe distances 12cm
 Clip rail distances
 Cement screed: Max. 2m
 Liquid screed: Max. 1m

